

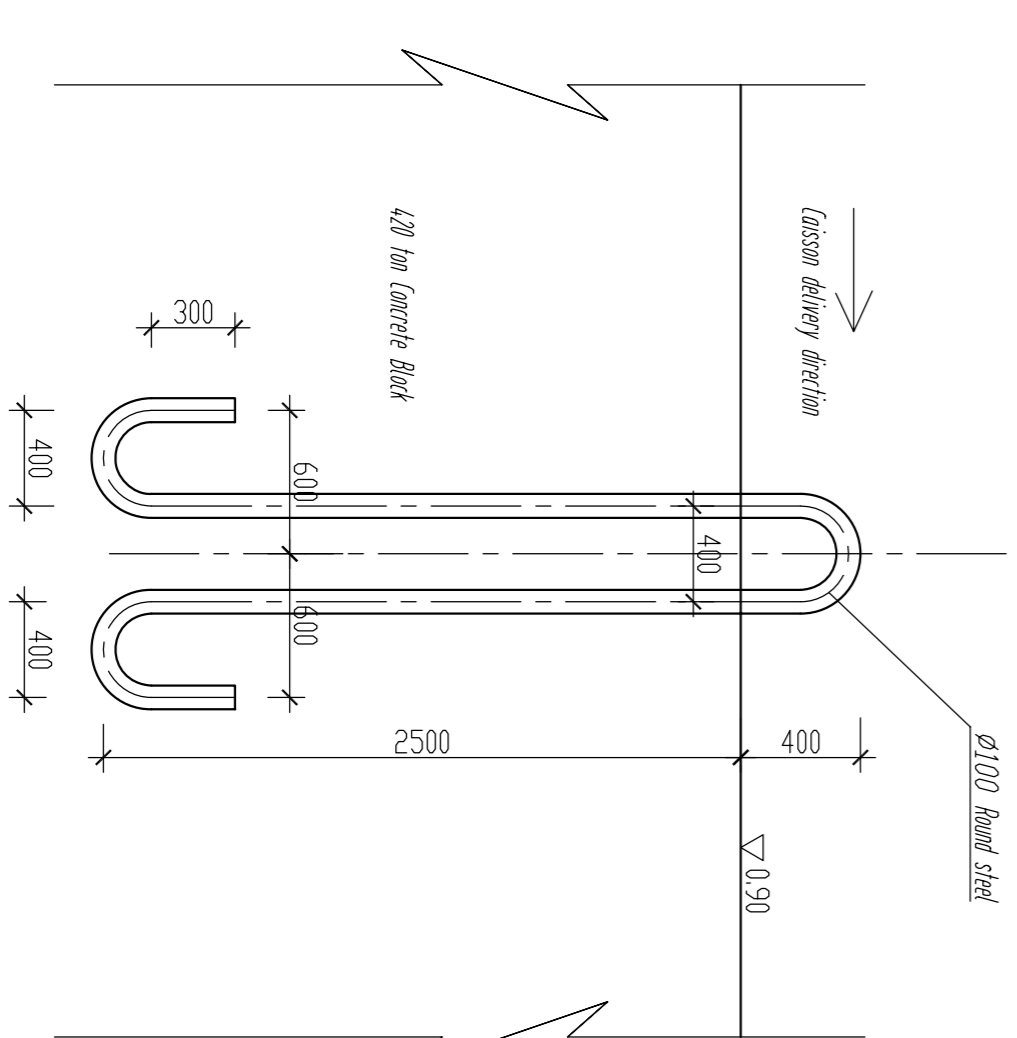
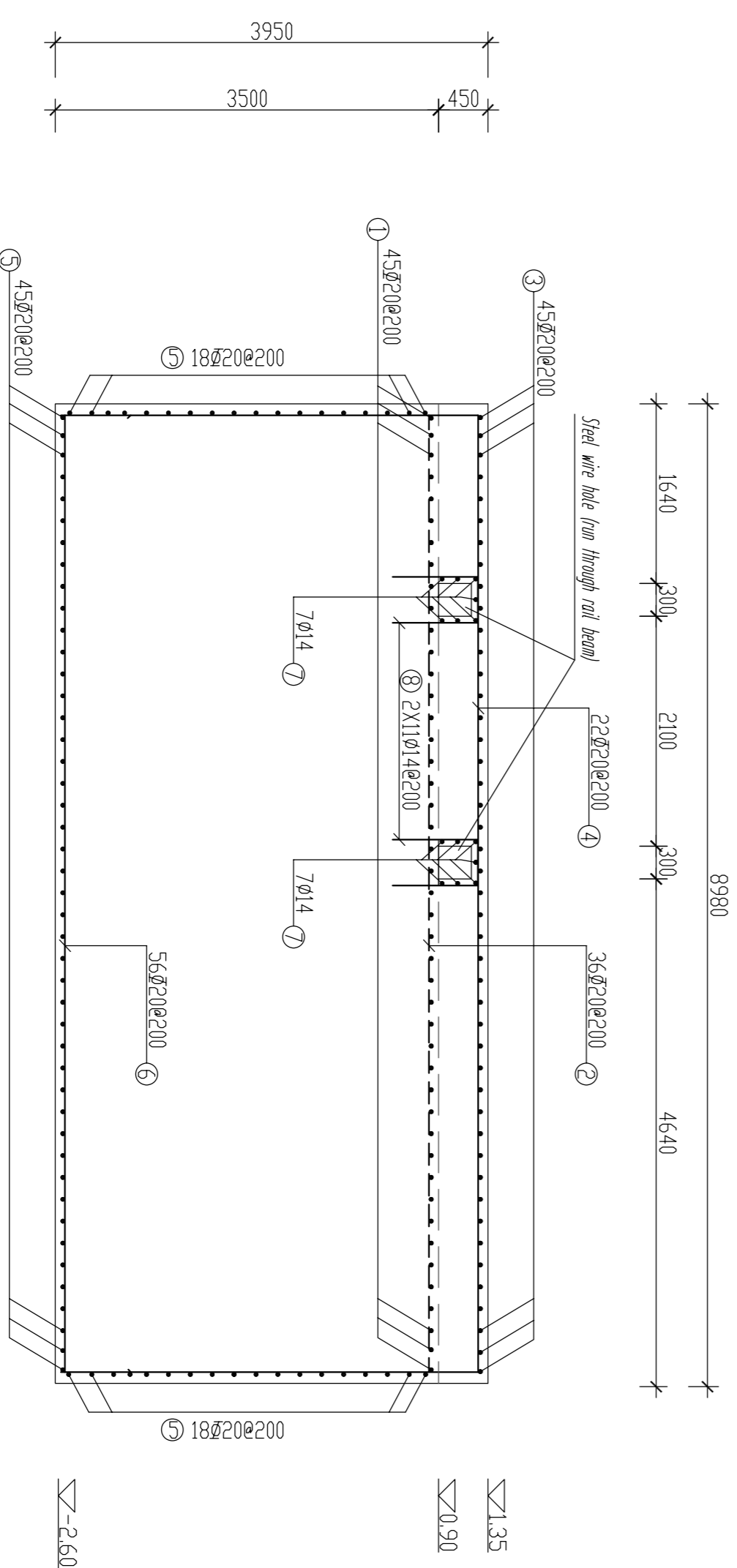
No.	Section	Diameter/Length (mm)	Quantity	Total Length	Weight (kg)
①	56Ø	16000	160	2560000	1856.2
②	36Ø	8800	388	3402400	1298.2
③	100Ø	1900	1000	1900000	887.0
④	133Ø	3000	1333	3999000	882.3
⑤	600	3000	160	1800000	2420.8
⑥	600	8800	160	1408000	2281.5
⑦	1800	1900	Ø14	1900	26.6
⑧	600	450	100	Ø14	22
					45.1
					54.6

Total Total reinforcement quantity is 952.8kg. The volume of concrete is 361.5m³

Material List

Reinforcement Plan of Concrete Block 1-1

2-2



- Note:
1. Dimensions in drawings are in millimeters, levels are based on local sea level.
 2. Concrete grade is C30.
 3. "Φ" is ribbed bar of Grade II, "φ" is plain round bar.
 4. The dimension of steel shall be measured from outer outline. Main reinforcement net cover is uniformly 50mm.
 5. Reinforcement and reserved components shall keep a distance of the location of steel rope hole and anchoring bar and adjust as per actual situation.
 6. The reserved position of concrete block and limitation wheel are detailed in 'Traction Area Structural Drawing of Inclined Frame Vehicle'.

1-1

Structural Drawing of Anchoring Bar 1-25

Tianjin Port Engineering Design and Consulting Ltd of China Communication Construction Company			
Project No.	CP-46-110	Project Name	Shanghai International Container Terminals Expansion Engineering Ltd Project
Drawn By		Checked By	
Designed By		Project Subject	
Plotted By		Drawing Name	400 Concrete Block Reinforcement Drawing
Date		Scale	1:30
		Drawing No.	TC-15